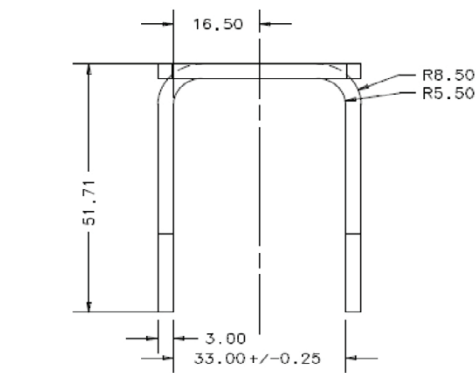


AI CIRCULAR BRACKET

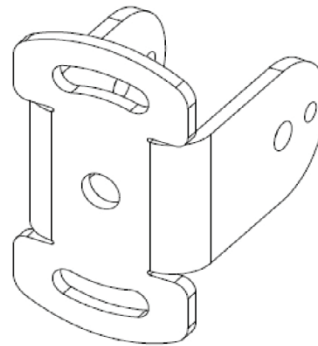
Supplied as standard with all Raytec illuminators. Provides a large degree of flexibility of mounting options. Can be attached directly to a wall, ceiling and any of the brackets listed below.

300 series is supplied with a larger version of this bracket.

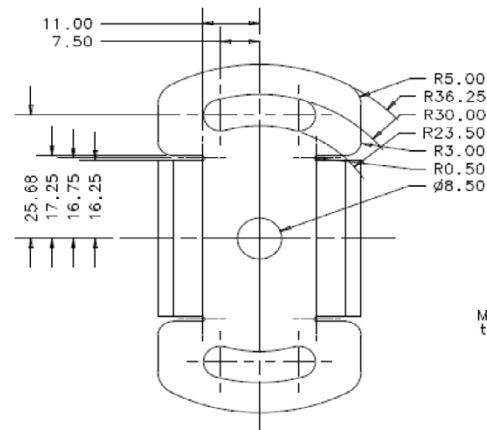
25 series is supplied with a U-Bracket.



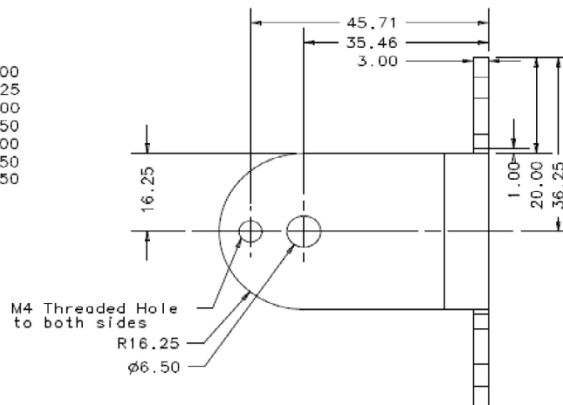
TOP



ISOMETRIC



FRONT



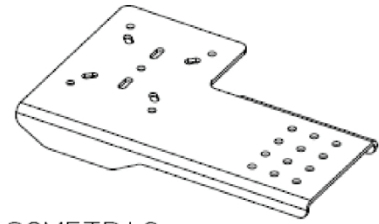
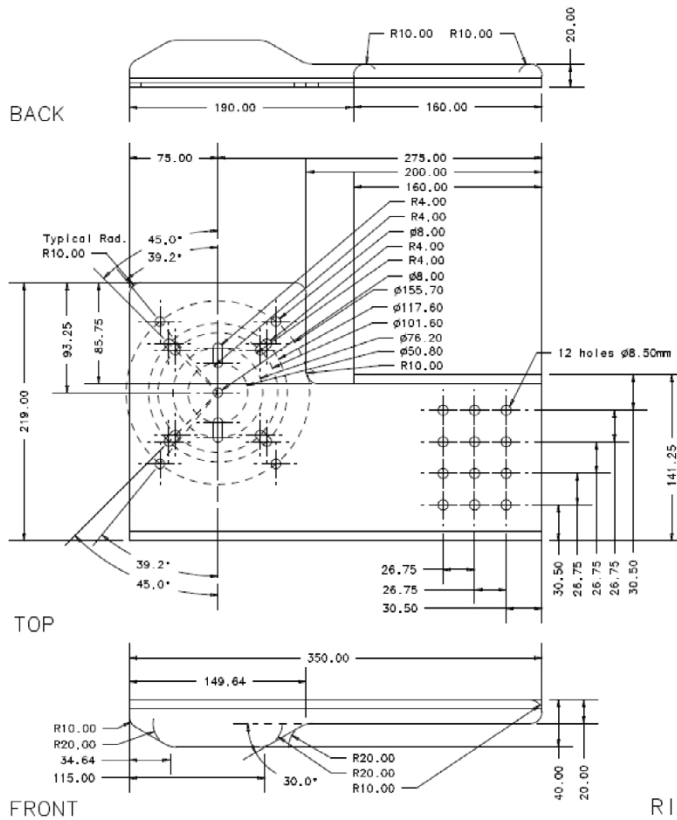
RIGHT

3.00mm Aluminium

SBI SINGLE PAN & TILT BRACKET ADAPTOR

Designed to mount any Raytec illuminator (normally 1 unit) to a Top Mount Pan/Tilt (PTZ) motor. The bracket should be fitted between camera housing and PTZ motor. Mounting holes provided to match with most industry standard PTZ units. Several mounting options provided to mount Raytec illuminator.

Other versions available for specific PTZ motors.

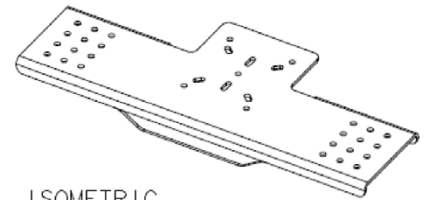


DB2 DOUBLE PAN & TILT BRACKET ADAPTOR

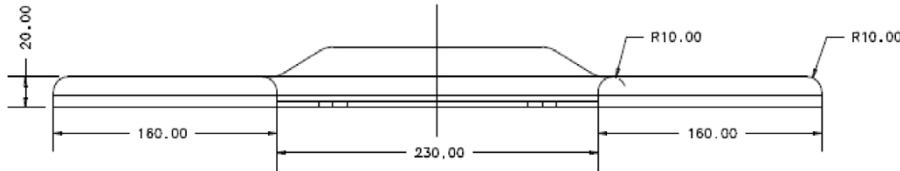
Designed to mount any Raytec illuminator (normally 2 units) to a Top Mount Pan/Tilt (PTZ) motor.

The bracket should be fitted between camera housing and PTZ motor. Mounting holes provided to match with most industry standard PTZ units. Several mounting options provided to mount Raytec illuminator.

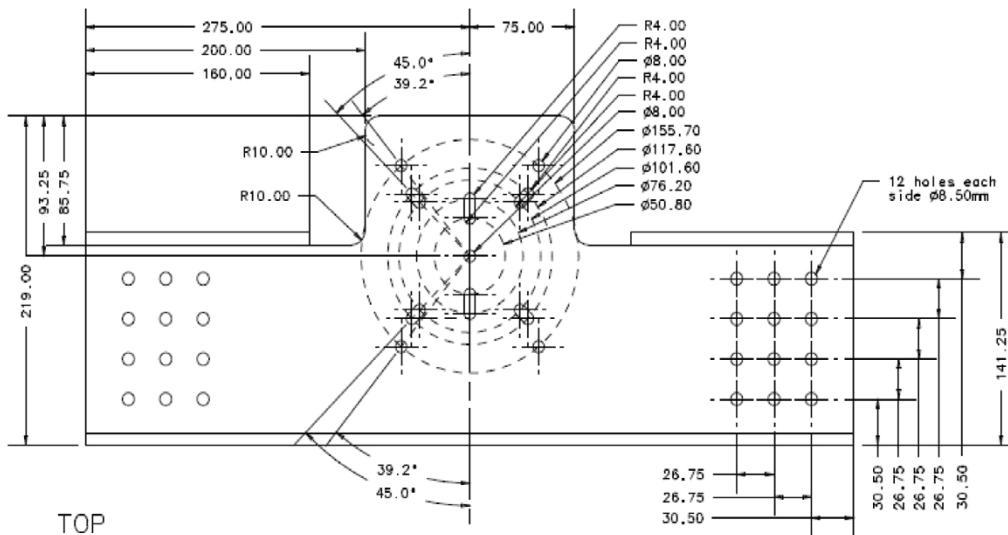
Other versions available for specific PTZ motors.



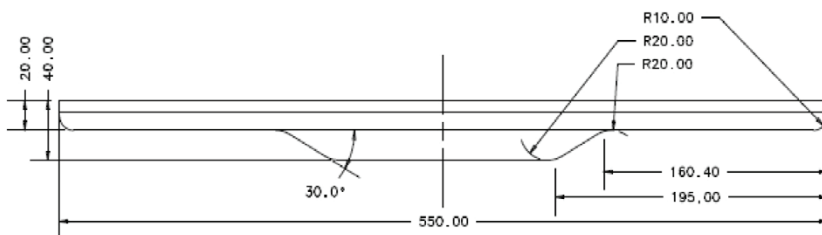
ISOMETRIC



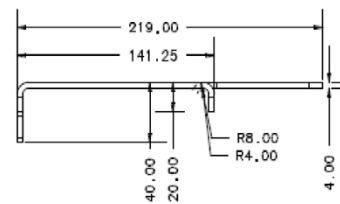
BACK



TOP



FRONT



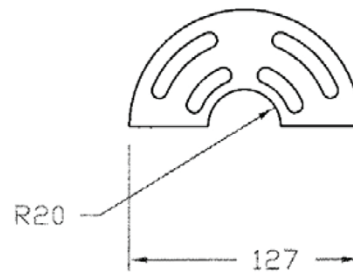
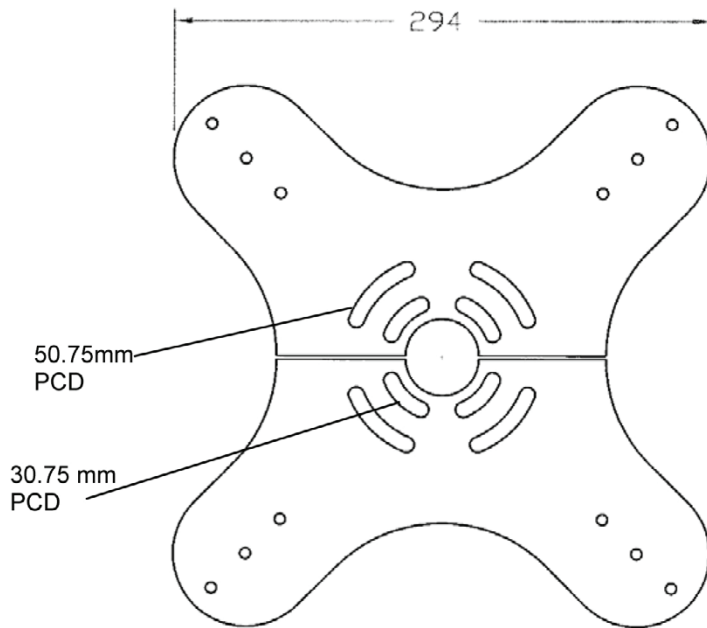
RIGHT

PB180/ PB360

Designed to mount Raytec illuminators to poles / columns – for use mainly with dome cameras. Mounts to top of pole. Provided with 4" PCD (50.75mm) and 2" (30.75mm) PCD mounting options. PB360 supplied with 2 mounting areas to mount up to 4 lamps. PB180 supplied with 1 mounting area (plus spacer) to mount up to 2 lamps.

PB360 supplied with 2 mounting areas to mount up to 4 lamps.

PB180 supplied with 1 mounting area (plus spacer) to mount up to 2 lamps

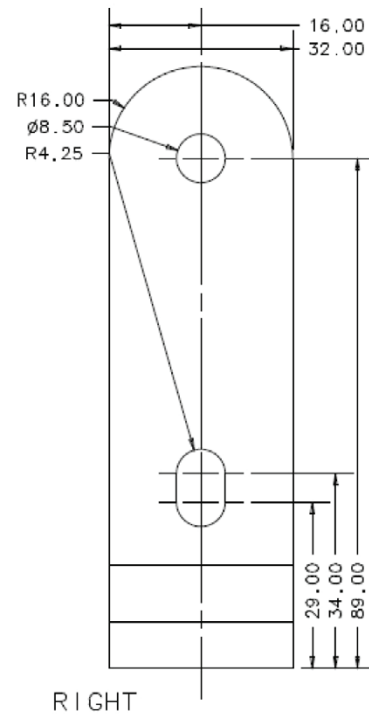
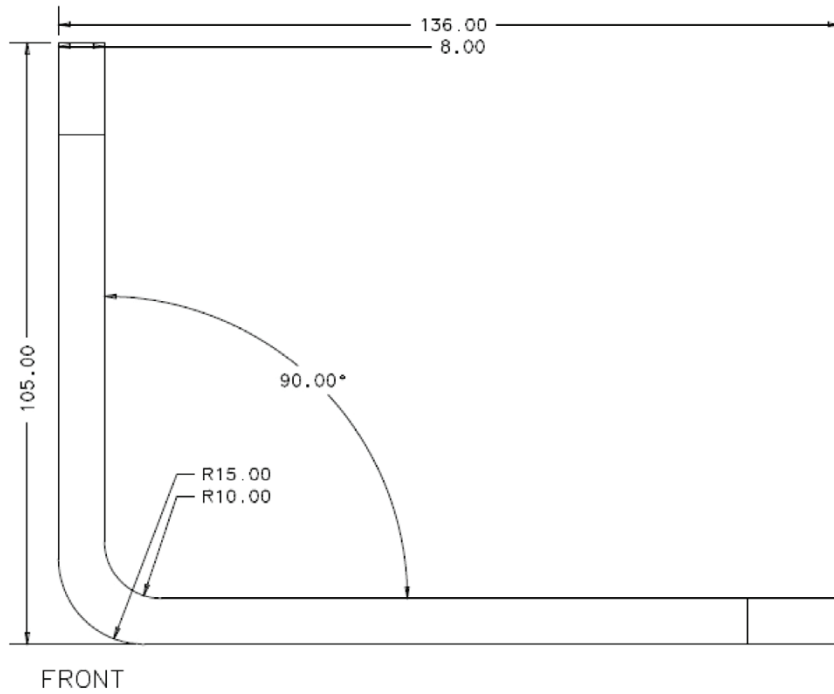
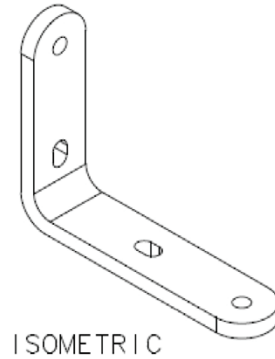
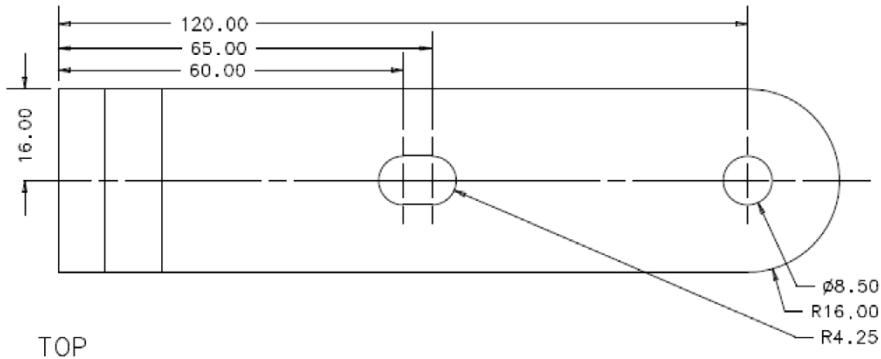


PB360 shown above - 2 mounting areas

PB180 – one mounting area as per PB360 and one spacer – shown above

L BRACKET

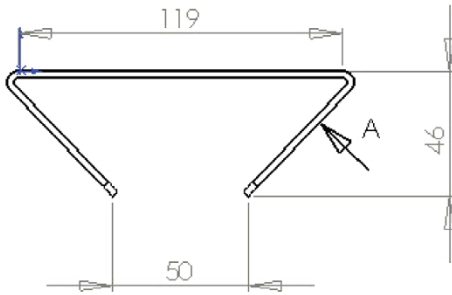
Designed to mount Raytec illuminators to walls to provide full pan/tilt adjustment when used with AI circular bracket.



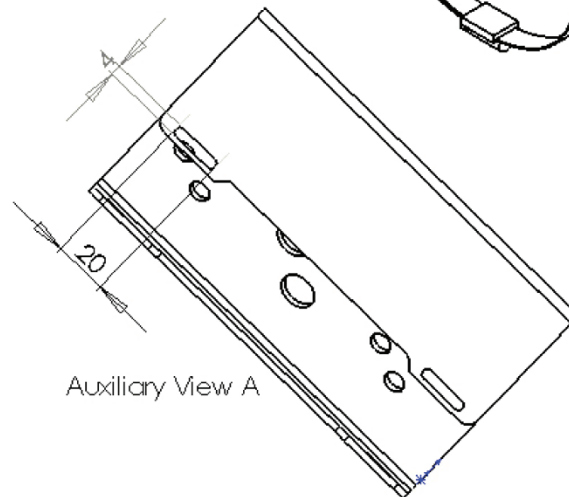
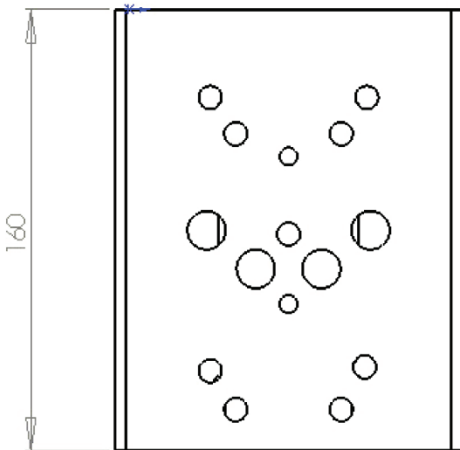
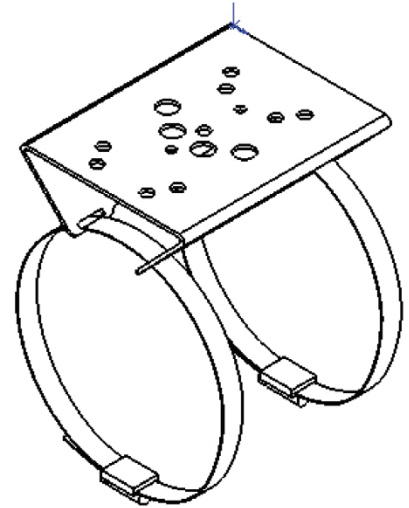
8.00mm Aluminium

PBC-1

Designed to mount Raytec illuminators to circular poles / columns.
To fit poles approx minimum 50mm up to 170mm (other diameters available on request).
Provides flat mounting platform for 1 Raytec illuminator.



Minimum Pole
Size ~45mm
Diameter

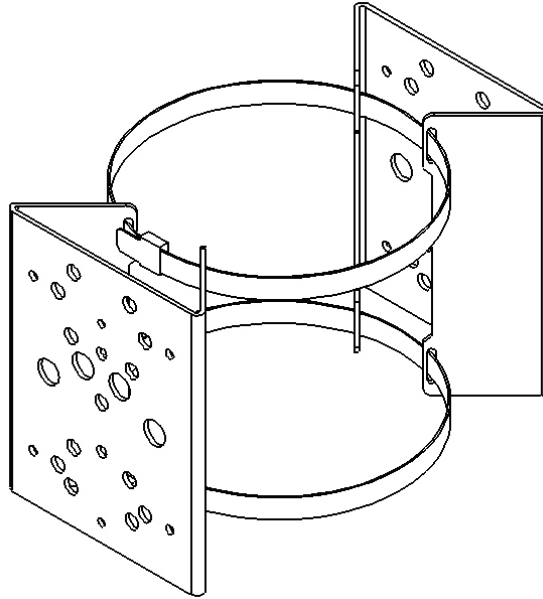


Auxiliary View A

Hole pattern to fit Raytec Products
plus cable exits.

PBC-2

Pole Bracket Clamp for 2 x RAYMAX or RAYLUX illuminators



PBC-1-PSU

Pole Bracket Clamp for illuminator + PSU (to suit RM/RL25, 50, 100, 200)

